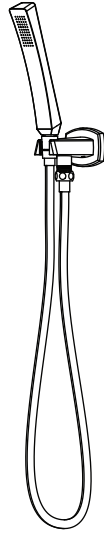
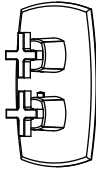


240.7050 | Two Output Shower W/ Rain Head & Hand Held



COMPONENTS

- RHW.7C - 7" Head w/ 8" Arm
- 240.4000T - Shower Trim
- TVH.4420F - Shower Valve
- HS1026H - Hand Held
- 240.8006 - Wall Elbow w/ Holder
- SP.150EM - 1.5m Hose

SHOWER VALVE:

- Thermostatic shower valve
- Valve includes service stops
- Turn bottom handle to set temp.
- Top handle controls water diversion
- Includes 15109 non-shared cartridge

SHOWER HEAD:

- Solid brass construction
- 1.8 GPM flow rate

HAND HELD:

- Solid Brass construction
- 1.8 GPM flow rate
- 1/2" female NPT connection
- With back flow prevention check valve

STANDARDS:

- ASME A112.18.1 / CSA B125.1

See individual component specification sheets on following pages for further details.



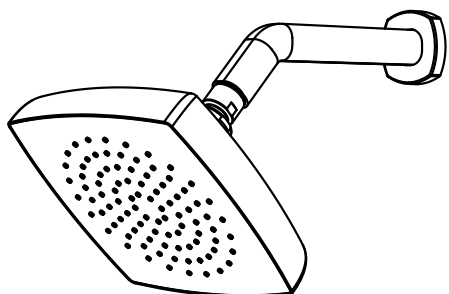
RHW.7C | 7" Brass Shower Head With 8" Wall Mount Shower Arm

SPECIFICATIONS:

- Solid Brass construction
- With Swivel action
- Shower arm has sliding flange

STANDARDS:

- ASME A112.18.1 / CSA B125.1



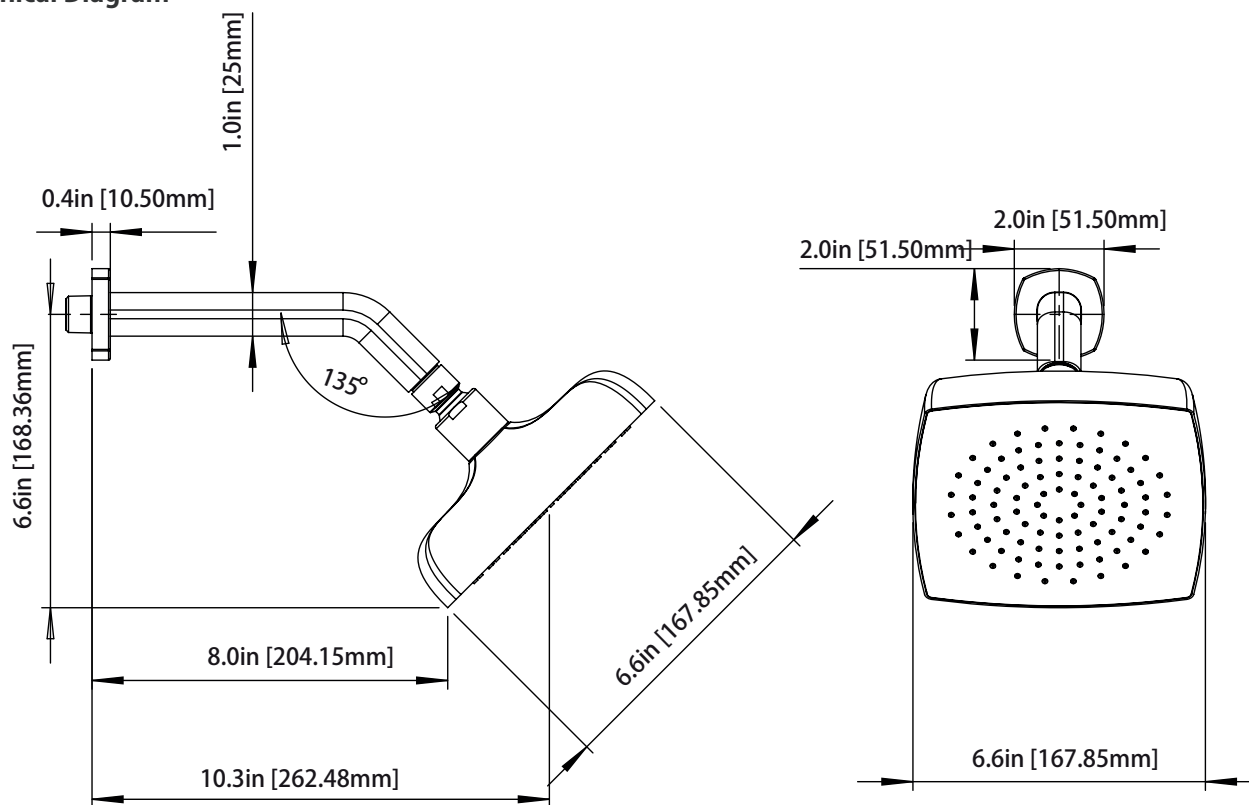
Legislation Compliance



ZeroDrip Technology

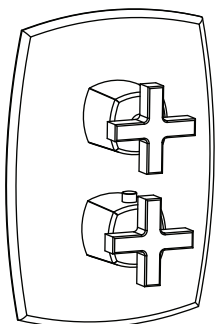


Technical Diagram



240.4000T | Thermostatic Shower Trim

SPECIFICATIONS:



- Solid Brass Construction
- Valve not included - Trim only
- Turn bottom handle to control temperature.
- Turn top handle to control volume.

Belgian Mirror Finish



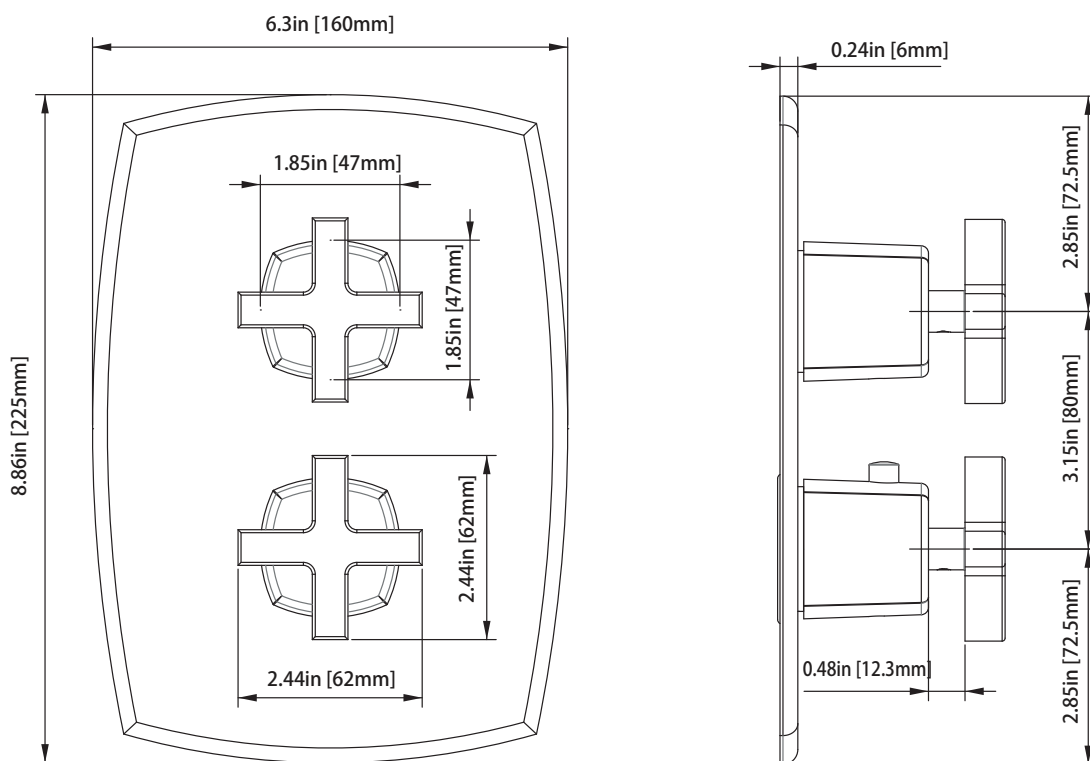
Legislation Compliance



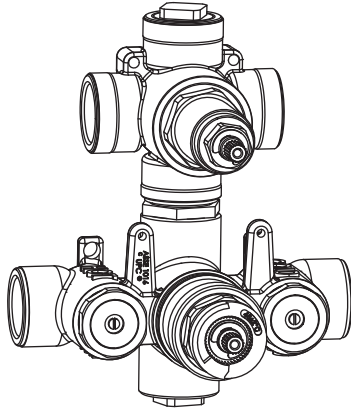
ZeroDrip Technology



Technical Diagram



TVH.4420F | 3/4" Thermostatic Valve With 2-Way Diverter & Integrated Volume Control Page 1 of 2



SPECIFICATIONS:

- ☑ Turn bottom knob to control temperature.
- ☑ Turn top knob to control water flow.
- ☑ Thermostatic Valve Flow Rate - 8.0 GPM @ 60 PSI
- ☑ Extension Available - TVH.4101E**

STANDARDS:

- ☑ ASME A112.18.1 / CSA B125.1

!
A separate volume control is **not** needed to turn water supply off. Volume control functionality is integrated within this valve.

CALGreen Compliant



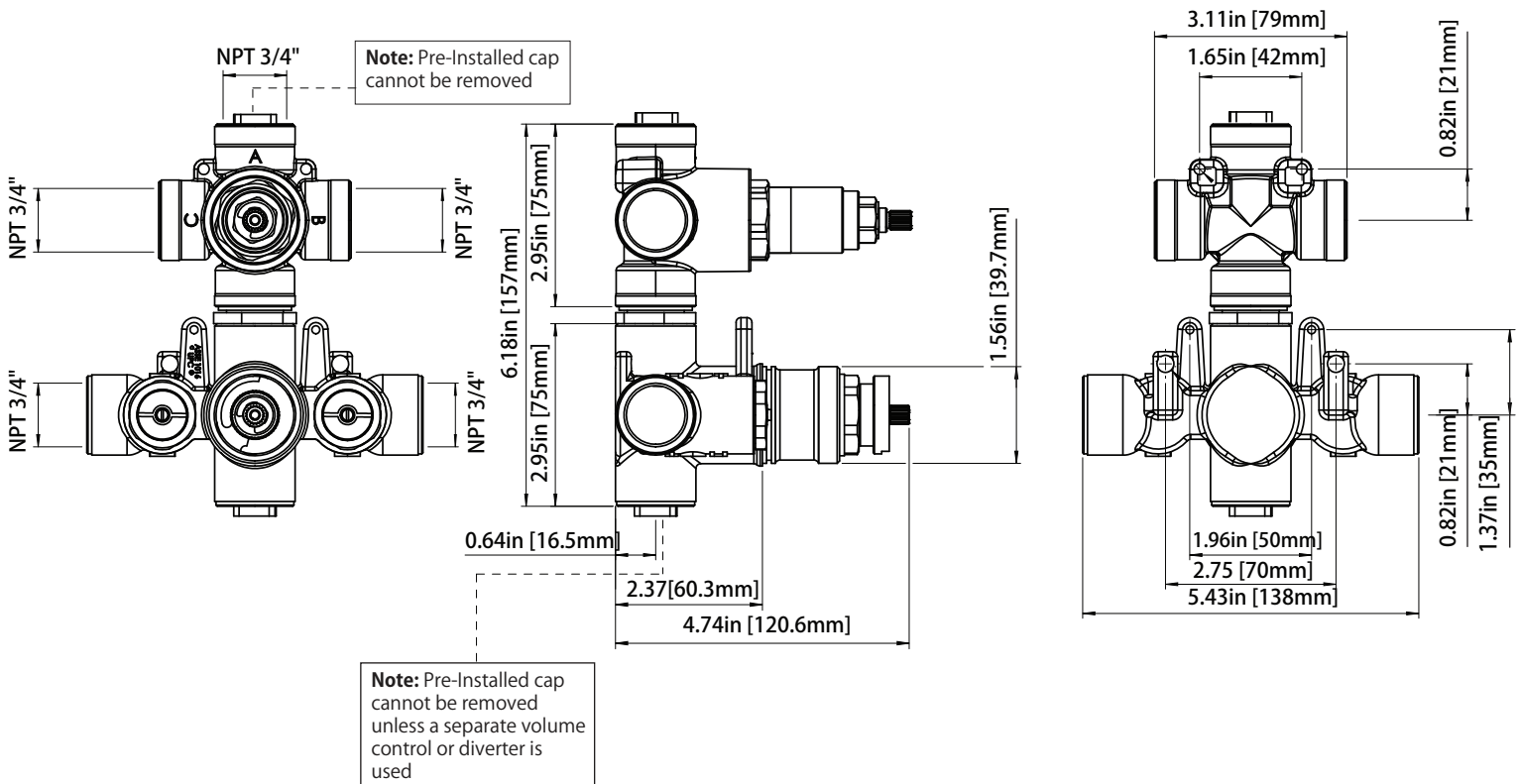
Legislation Compliance



ZeroDrip Technology



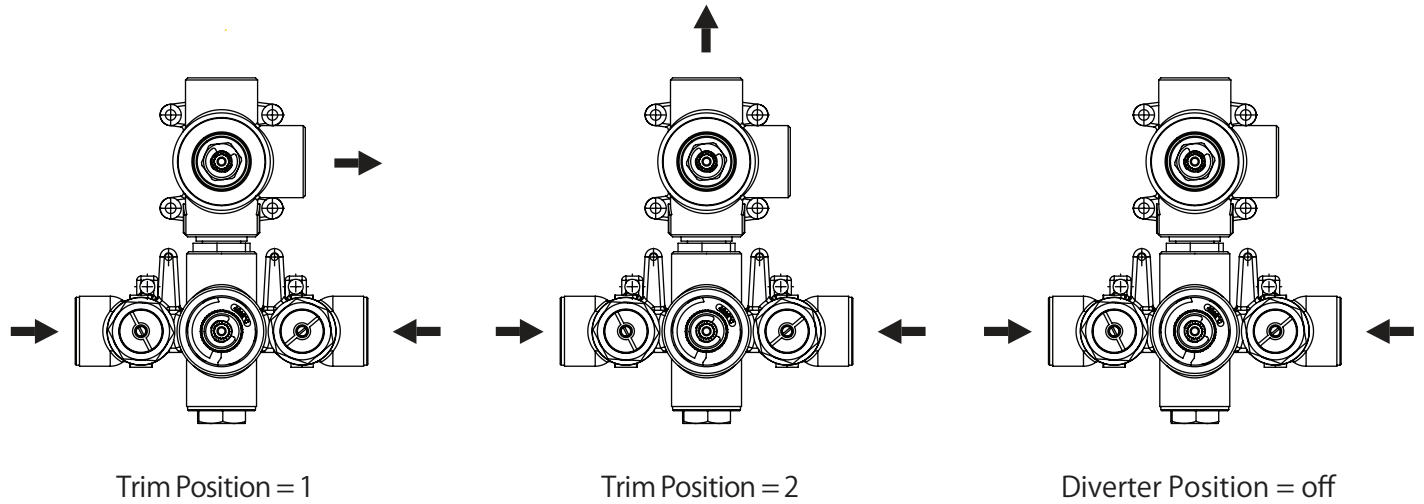
Technical Diagram



TVH.4420 | 3/4" Thermostatic Valve With 2-Way Diverter & Integrated Volume Control
Page 2 of 2



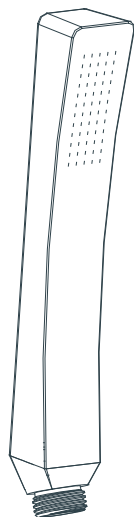
Water Diversion Diagram



HS1026H | Solid Brass Hand Shower

SPECIFICATIONS:

- ☒ Solid Brass Construction
- ☒ 1.8 GPM Flow Rate
- ☒ With back flow prevention check valve



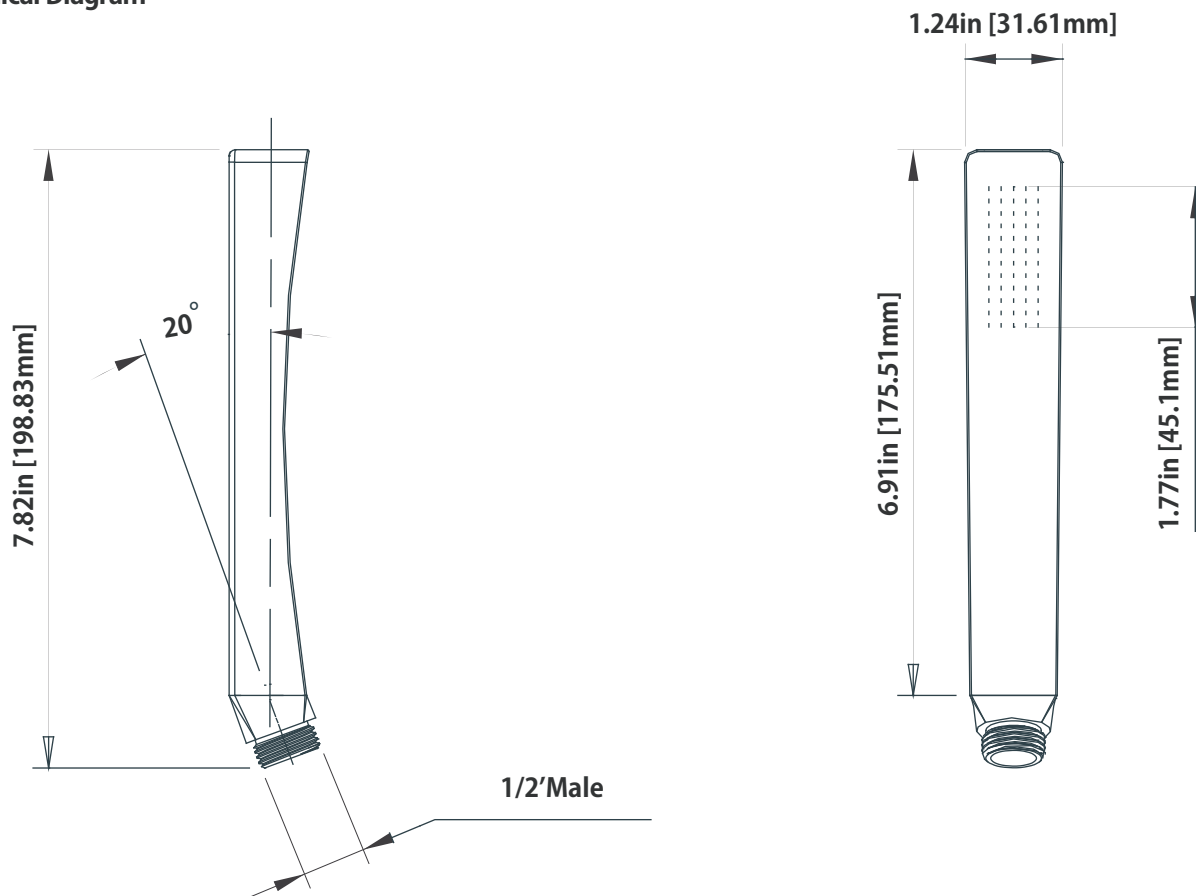
Legislation Compliance



ZeroDrip Technology



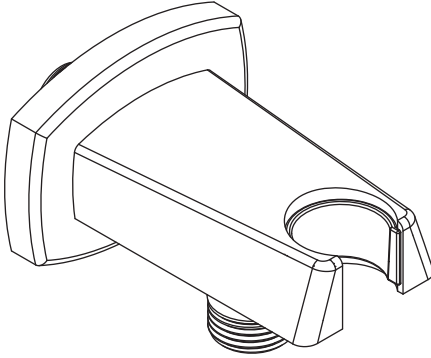
Technical Diagram



240.8006 | Wall Elbow With Holder Combo

SPECIFICATIONS:

- Solid Brass Construction
- Includes Check Valve with back flow prevention.



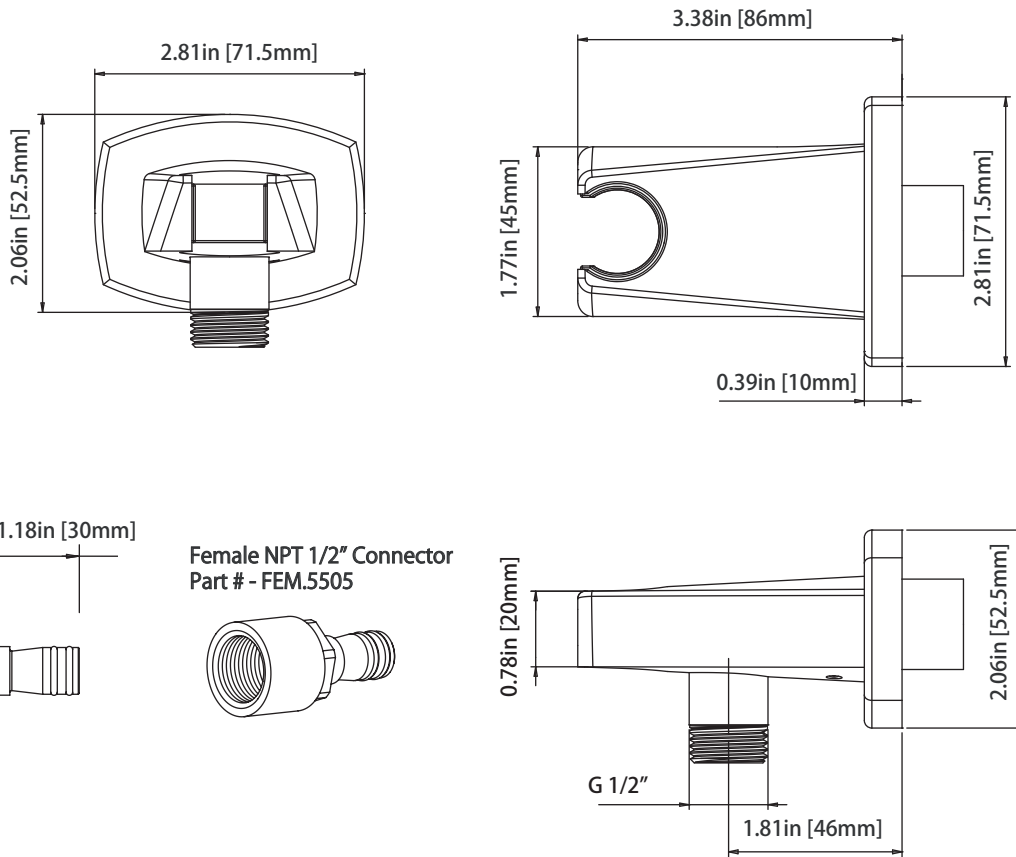
Legislation Compliance



ZeroDrip Technology



Technical Diagram



SP.150EM | Easy Maneuver Hose



SPECIFICATIONS:

- ☒ Stainless steel construction
- ☒ G-1/2" connection
- ☒ 1.5m length

Legislation Compliance



ZeroDrip Technology



Technical Diagram

